

Data Sheet

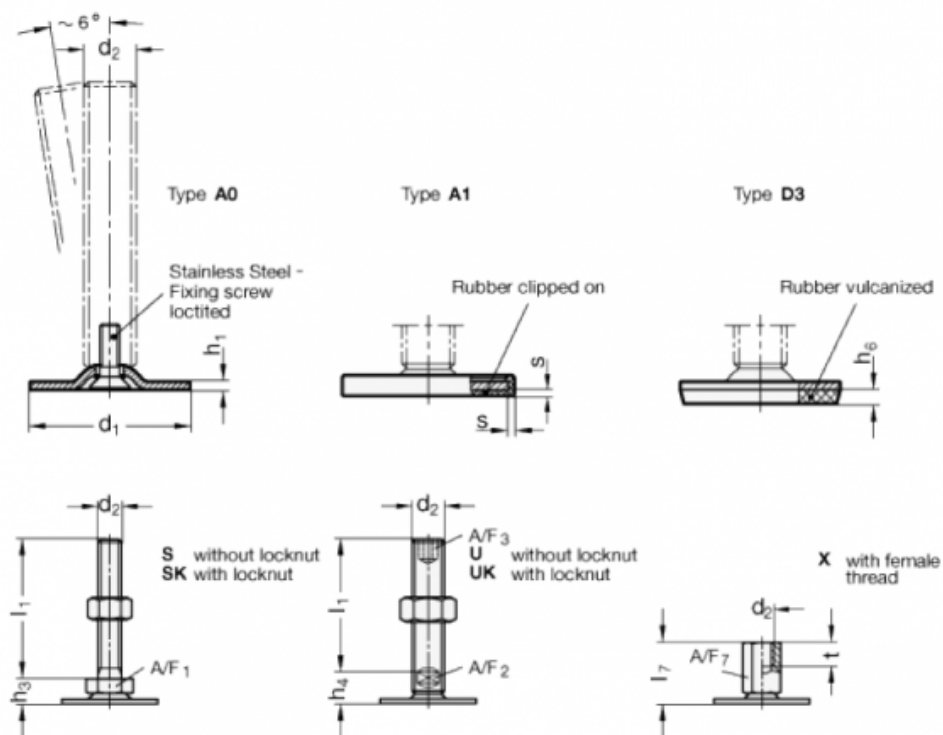


Article number: 204040M1050A1SK

Description: E+G levelling foot
GN 40-40-M10-50-A1-SK

Note: SK With nut, External hexagon at the bottom

Measures



A/F1	=	17
d1	=	40
d2	=	M10
h1	=	2
h3	=	11
h6	=	
l1	=	50
s	=	1.5